

Receiver

From

Society
Reference
Address
Phone
Fax
E-mail

Item n° :
60194203
Model :
FEKA FXC 20.15 M-NA Ex
Type of installation :
Wet - Pump only

Pump data

Free passage : 50 mm
Max. immersion depth : 20 m
Min. fluid temperature : 0 °C
Max. fluid temperature : 50 °C

Requested data

Flow :
Head :
Fluid : Water
Fluid Temperature : 20 °C
Density : 998,3 kg/m³
Kinematic viscosity : 1,005 mm²/s
Vapor pressure : 2,34 kPa

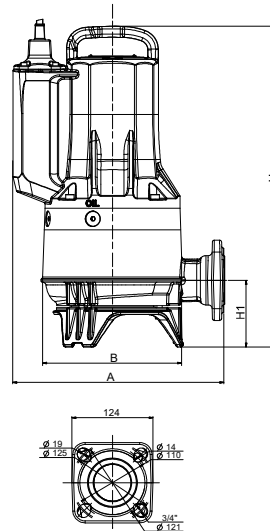
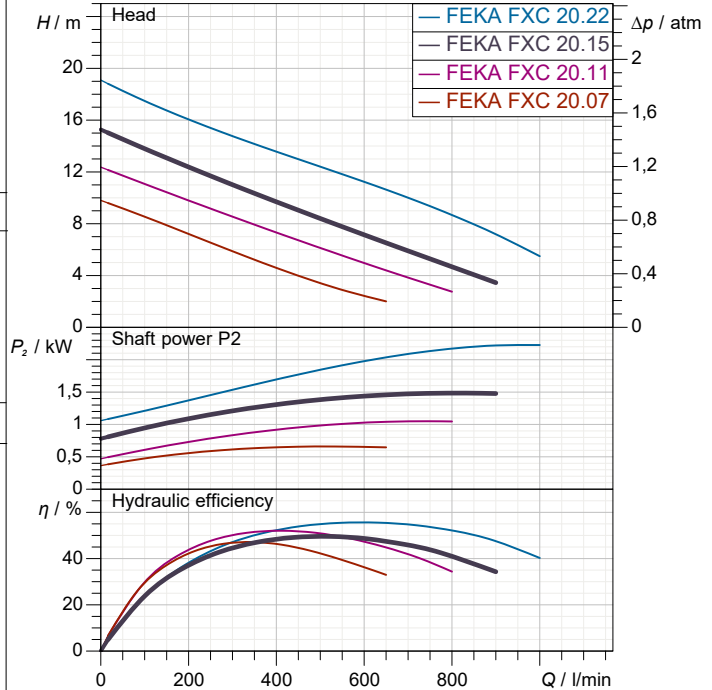
Hydraulic data (duty point)

Flow :
Head :

Materials

Handle : Cast iron (EN GJL 200)
Pump body / motor : Cast iron (EN GJL 200)
Impeller : Cast iron (EN GJL 250)
Mechanical seal pump side : SiC-SiC/SiC-C
Mechanical seal motor side : SiC/Carbon
OR ring : NBR
Motor shaft : Stainless Steel AISI 304

Curve tolerance according to ISO 9906



Motor data

Motor brand : DAB
Nominal power P₂ : 1,5 kW
Rated speed : 2.870 1/min
Rated voltage : 1~ 230 V 50 Hz
Nominal current : 9,1 A
Degree of protection : IP 68

Weight : 42 kg **Accessory weight :**

Dimensions in mm

| | | | | | |
|-----|-------|--|--|--|--|
| A | 322 | | | | |
| B | 218 | | | | |
| DN1 | 50 | | | | |
| GAS | Rp 2" | | | | |
| H | 496 | | | | |
| H1 | 103 | | | | |

Pump connection

Suction side : --
Discharge side : Rp 2" - DN 50 PN10/6

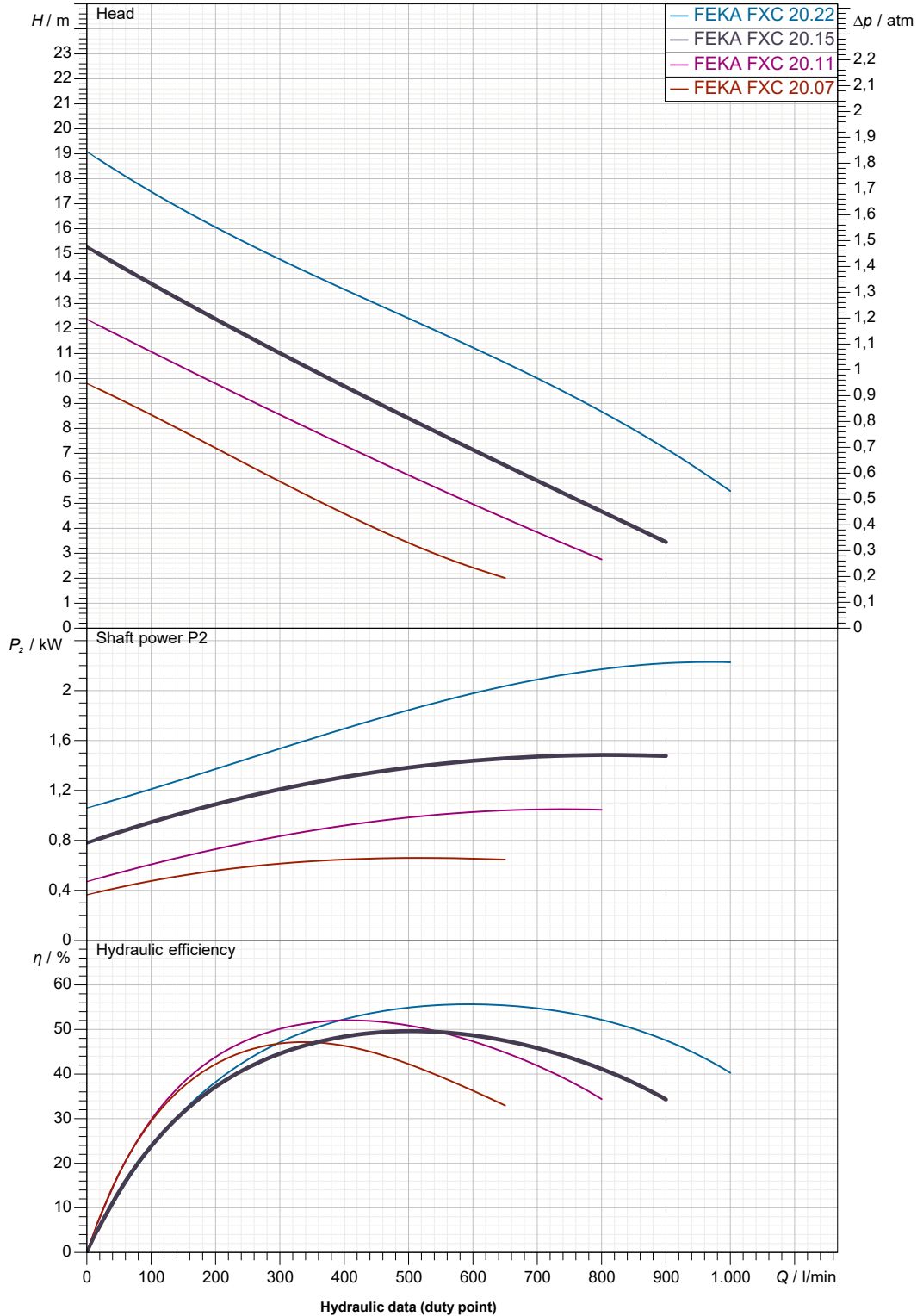
Receiver

From

 Society
 Reference
 Address
 Phone
 Fax
 E-mail

FEKA FXC 20.15 M-NA Ex

Curve tolerance according to ISO 9906



Suction side :

 Discharge side :
 Rp 2" - DN 50 PN10/6
 --

Flow :

Head :

 Rated speed :
 2.870 1/min

MAIN_PROJECT_TITLE

BUSINESS_PROCESS_ID

OWNER_

 ISSUE_DATE
 2020-12-09



DIMENSIONAL DRAWING

2020-12-09

Page 3 / 3

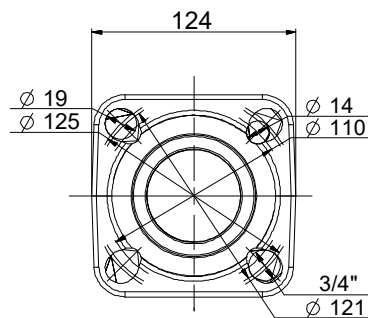
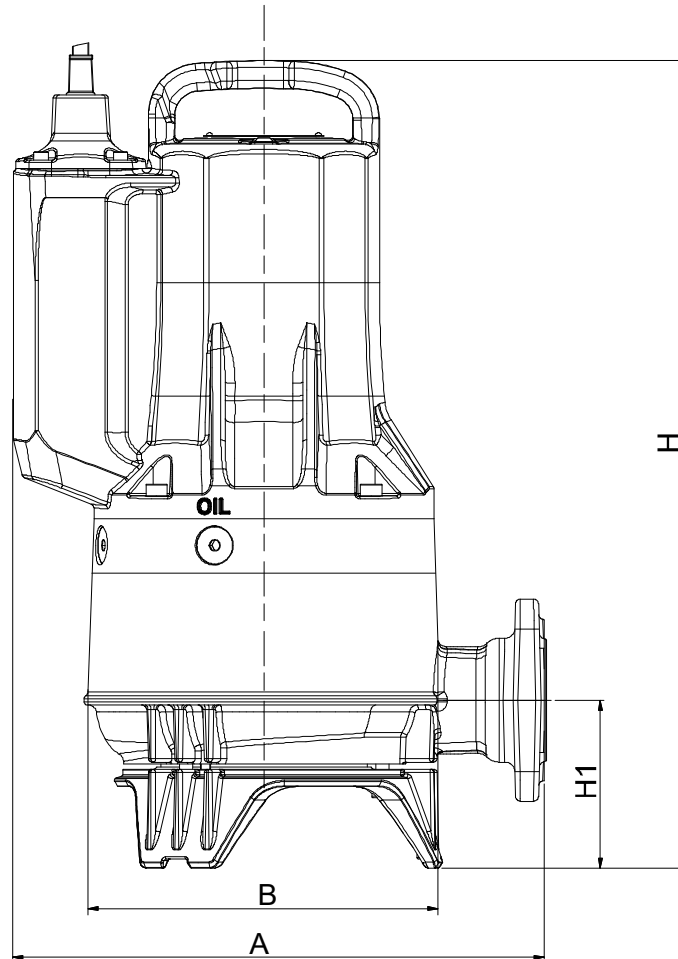
DAB PUMPS S.p.A.
Via Marco Polo, 14 - 35035 Mestrino (PD), Italy
Tel. +39 049 5125000 - Fax +39 049 5125950
www.dabpumps.com

Receiver

From

Society
Reference
Address
Phone
Fax
E-mail

FEKA FXC 20.15 M-NA Ex



Dimensions in mm

Pump connection

| | | | | | | | |
|----|-----|-------|--|--|--|--|----------------------|
| 1 | A | 322 | | | | | |
| 2 | B | 218 | | | | | |
| 3 | DN1 | 50 | | | | | Suction |
| 4 | GAS | Rp 2" | | | | | |
| 5 | H | 496 | | | | | Discharge |
| 6 | H1 | 103 | | | | | Rp 2" - DN 50 PN10/6 |
| 7 | | | | | | | -- |
| 8 | | | | | | | |
| 9 | | | | | | | |
| 10 | | | | | | | |
| 11 | | | | | | | |
| 12 | | | | | | | |

| | | | |
|--------------------|---------------------|-------|--------------------------|
| MAIN_PROJECT_TITLE | BUSINESS_PROCESS_ID | OWNER | ISSUE_DATE 2020-12-09 |
|--------------------|---------------------|-------|--------------------------|